

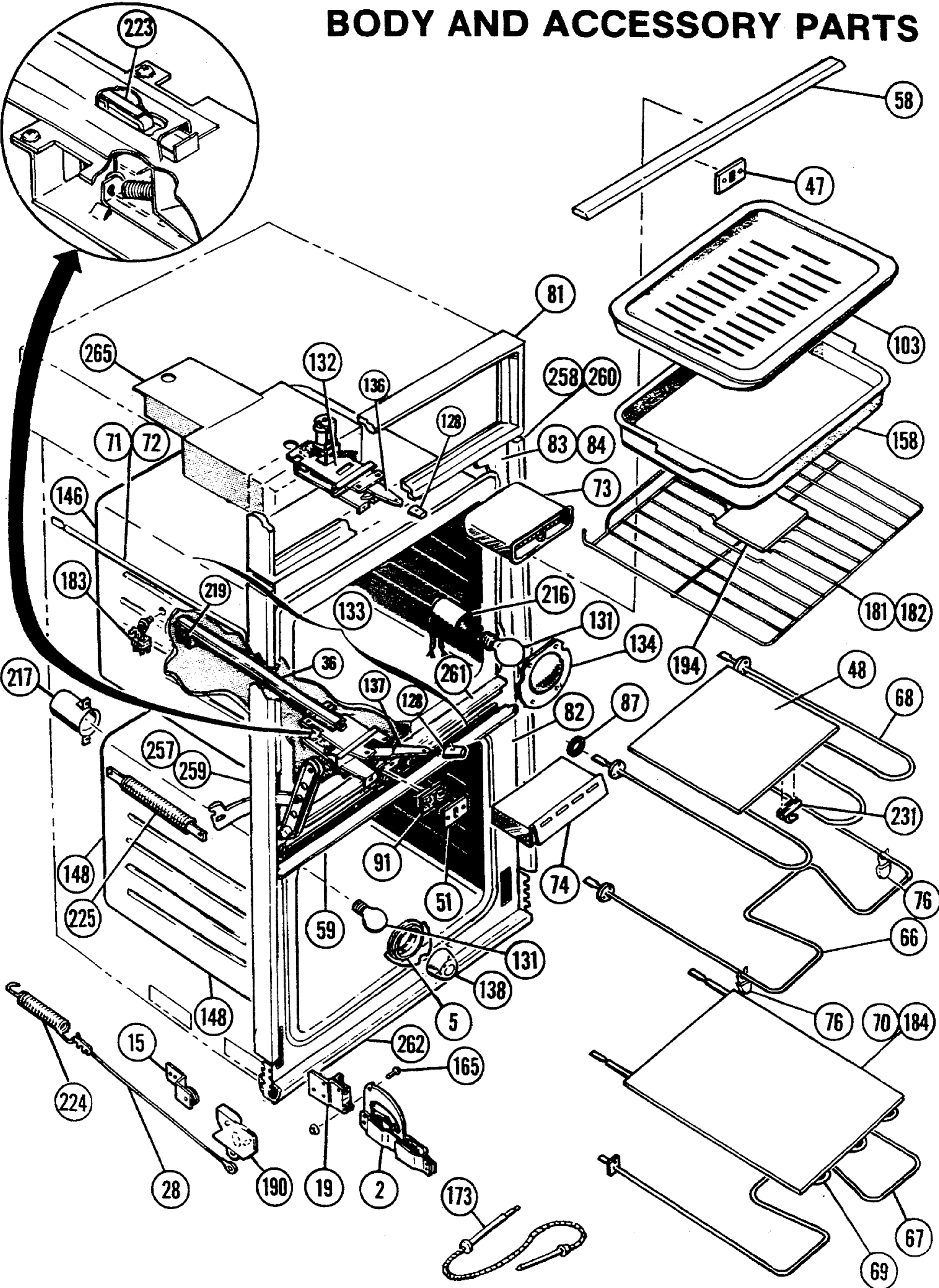
***Thermador***

**THERMATRONIC  
II  
COMBINATION**

**MODELS  
CMT-19  
CMT-21**

**PARTS LIST**

# BODY AND ACCESSORY PARTS



ITEM NO.	PART NO.	DESCRIPTION	QUANTITY ON MODELS				REMARKS
			OVENS		DOORS		
			CMT-19	21	CMT-2BG	MSC-2BG	
84	14-34-483	Frame - Front	1	-	-	-	
86	14-19-770	Fuse	1	1	-	-	
87	14-19-938	Gasket - Broil	2	2	-	-	Microwave Oven
88	14-19-939	Gasket - Capillary	1	1	-	-	Microwave Oven
89	14-19-948	Gasket - Tube Entrance	1	1	-	-	Microwave Oven
90	14-29-048	Gasket - Door Window	-	-	1	-	Microwave Oven
91	14-12-275	Gasket - Hook Slot	-	1	-	-	Lower Oven
93	14-19-577	Glass - Door, Clear	-	-	-	2	Lower Oven
94	14-19-855	Glass - Door, Black	-	-	1	-	Microwave Oven
	14-19-092	Glass - Door, Black	-	-	-	1	Lower Oven
96	14-34-576	Glass - Inner Assembly, Door	-	-	1	-	Microwave Oven
97	14-29-113	Glass - Control Panel	-	1	-	-	Prior to S.C."D"
-	14-29-401	Glass - Control Panel	-	1	-	-	Starts S.C."D"
98	14-29-116	Glass - Control Panel	1	-	-	-	Prior to S.C."D"
-	14-29-400	Glass - Control Panel	1	-	-	-	Starts S.C."D"
100	14-34-023-01	Housing - Interlock, Inside	1	1	-	-	
101	14-34-024-01	Housing - Interlock, Outside	1	1	-	-	
102	14-34-093	Guard - Grease	1	1	-	-	
103	14-01-390	Grid - Broil Pan	1	1	-	-	
104	14-34-091	Guard - Magnetron	-	1	-	-	
106	14-19-094	Handle Bar - Door	-	-	1	1	
107	14-19-093	Handle End - Door	-	-	2	2	
108	14-12-568-11	Handle - Shutter, Right Hand	-	-	-	1	Lower Oven
109	14-12-568-11	Handle - Shutter, Left Hand	-	-	-	1	Lower Oven
110	14-34-399-11	Handle - Shutter	-	-	2	-	Microwave Oven
112	14-19-500	Holder - Fuse	1	1	-	-	
113	14-12-463	Hole Cover - Phone Jack (Not Illustrated)	-	1	-	-	Lower Oven
114	14-12-367	Housing - Shutter, Back	-	-	-	1	Lower Oven
115	14-12-424	Housing - Shutter, Front	-	-	-	1	Lower Oven
117	14-34-162	Hinge Roller Assembly	2	2	-	-	
-	14-90-185	Screw - Shoulder	2	2	-	-	
119	14-29-154	Indicator - Tempmatic	1	1	-	-	
120	14-29-156	Inlay - Tempmatic	1	1	-	-	
121	14-34-333	Insulator - Mullion	2	2	-	-	Not Illustrated
122	14-12-570	Insulator - Door, Long	-	-	-	2	Lower Oven
123	14-12-571	Insulator - Door, Short	-	-	-	2	Lower Oven
124	14-34-182	Insulation - Door	-	-	1	-	Microwave Oven
	14-12-818	Insulation - Door	-	-	-	1	Lower Oven

ITEM NO.	PART NO.	DESCRIPTION	QUANTITY ON MODELS				REMARKS
			OVENS		DOORS		
			CMT-	CMT-	MSC-	MSC-	
			19	21	2BG	2BG	
127	14-29-197	Knob - Clock and Roastmeter	4	4	-	-	
128	14-29-066	Knob - Latch Lever	1	2	-	-	
-	14-90-200	Screw for Knob	1	2	-	-	
-	14-93-026	Nut for Knob	1	2	-	-	
129	14-29-253	Knob - Thermostat and Timer	2	3	-	-	
130	14-19-451	Light Bulb - Clock and Dial	3	4	-	-	
131	14-09-756	Light Bulb - Oven Interior	1	2	-	-	
132	14-34-568	Latch Assembly - Microwave Oven	1	1	-	-	Prior to S.C."D"
-	14-34-547	Latch Assembly - Microwave Oven	1	1	-	-	Starts S.C."D"
133	14-34-440	Latch Assembly	-	1	-	-	Lower Oven
134	14-34-130	Lens Assembly	1	1	-	-	Microwave Oven
136	14-34-389-11	Lever - Latch - Microwave Oven	1	1	-	-	Prior to S.C."D"
-	14-34-545-11	Lever - Latch - Microwave Oven	1	1	-	-	Starts S.C."D"
137	14-12-579-11	Lever - Latch	-	1	-	-	Lower Oven
138	14-19-982	Lens - Oven Light	-	1	-	-	Lower Oven
140	14-19-925	Light - Pilot, Microwave Oven	1	1	-	-	
141	14-19-926	Light - Pilot, Latch	-	1	-	-	
142	14-19-927	Light - Pilot, Upper and Lower Oven	1	2	-	-	
143	14-29-335	Light - Pilot	1	-	-	-	
144	14-29-336	Light - Pilot	1	-	-	-	
146	14-34-435	Liner - Microwave Oven	1	-	-	-	
	14-34-436	Liner - Microwave Oven	-	1	-	-	
148	14-12-820-08	Liner - Lower Oven	-	1	-	-	
149	14-34-408-08	Liner - Door Assembly	-	-	1	-	Microwave Oven
	14-12-579-08	Liner - Door Assembly	-	-	-	1	Lower Oven
152	14-29-035	Magnetron Tube	1	1	-	-	Prior to S.C."E"
-	14-29-432	Magnetron Tube	1	1	-	-	Starts S.C."E"
153	14-19-433	Motor - Blower	1	1	-	-	
154	14-19-924	Motor - Blower, Magnetron	1	1	-	-	
155	14-19-883	Motor - Stirrer	1	1	-	-	
156	14-34-334	Mount - Door Hinge	2	2	-	-	
157	14-34-270	Mount - Blower Motor	1	1	-	-	Prior to S.C."E"
-	14-34-551	Mount - Blower Motor	1	1	-	-	Starts S.C."E"
158	14-08-071-09	Pan - Broil, Porcelain	1	1	-	-	
159	14-12-852	Panel - Bottom Trim, Door	-	-	1	1	
160	14-29-117	Panel - Instruction	1	-	-	-	
	14-29-115	Panel - Instruction	-	1	-	-	
161	14-34-347-03	Panel - Control Mounting	1	1	-	-	
162	14-34-411	Partition - Door	-	-	1	-	Microwave Oven
	14-12-572	Partition - Door	-	-	-	1	Lower Oven
165	14-12-944	Pin - Hinge Pivot with Fastener	-	2	-	-	Lower Oven

ITEM NO.	PART NO.	DESCRIPTION	QUANTITY ON MODELS				REMARKS
			OVENS		DOORS		
			CMT-19	CMT-21	CMT-2BG	CMT-MSC-2BG	
166	14-19-049	Pin - Roll, Latch	1	1	-	-	
168	14-34-306	Plate - Door Anti-Removal	2	2	-	-	Not Illustrated
169	14-12-559	Plate - Door Handle Nut	-	-	2	2	
-	14-90-175	Screw - Handle End	-	-	4	4	
170	14-34-152	Plate - Door Frame	-	-	1	-	Microwave Oven
	14-12-825	Plate - Door Frame	-	-	-	1	Lower Oven
171	14-34-198	Plate - Stirrer Bearing	1	1	-	-	
172	14-34-531	Plenum - Air, Weld Assembly	1	1	-	-	
173	14-29-033	Probe and plug	1	1	-	-	
175	14-34-025-14	Push Rod - Interlock Switch	1	1	-	-	
177	14-19-406	Relay - Blower	1	1	-	-	
178	14-19-249	Relay - Microwave	1	1	-	-	
-	14-90-023	Screw	2	2	-	-	
179	14-29-205	Relay - Probe Interrupt	1	1	-	-	
180	14-29-206	Relay - Probe Start	1	1	-	-	
181	14-19-881-14	Rack - Lower Oven	-	2	-	-	
182	14-19-882-14	Rack - Microwave Oven	1	1	-	-	
183	14-19-024	Receptacle - Phone Jack	1	1	-	-	
184	14-08-037	Reflector - Broil	-	1	-	-	Lower Oven
185	14-14-816	Resistor - Surge, 10 Ohm	1	1	-	-	
186	14-19-782	Resistor - Power, 100W 1500 Ohm	1	1	-	-	
187	14-14-817	Resistor - 4.7 Meg Ohm	1	2	-	-	
188	14-19-129	Relay - Hot Wire	1	2	-	-	
-	14-93-004	Nut	2	4	-	-	
189	14-34-313	Retainer - Glass (Not Illustrated)	-	-	1	-	Microwave Oven Door
190	14-11-606	Roller - Right Hand Hinge	-	1	-	-	Lower Oven
	14-11-607	Roller - Left Hand Hinge	-	1	-	-	Lower Oven
192	14-34-262	Screen - Air Intake	1	1	-	-	Not Illustrated
194	14-19-903	Shelf - Thermoglass	1	1	-	-	
195	14-34-507	Shield - Light	1	1	-	-	Not Illustrated
196	14-34-094	Shield - Wire, Right Hand	-	1	-	-	
197	14-34-095	Shield - Wire, Left Hand	-	1	-	-	
198	14-12-612	Shield - Interlock Switch	-	1	-	-	Not Illustrated
199	14-12-576	Shield - Shutter Handle, Left Hand	-	-	-	1	Lower Oven Door
200	14-12-577	Shield - Shutter Handle, Right Hand	-	-	-	1	Lower Oven Door
201	14-34-402	Shutter Assembly	-	-	1	-	Microwave Oven Door
	14-12-378	Shutter Assembly	-	-	-	1	Lower Oven Door

ITEM NO.	PART NO.	DESCRIPTION	QUANTITY ON MODELS				REMARKS
			OVENS		DOORS		
			CMT-19	CMT-21	CMT-28G	CMT-28G	
203	14-34-514-01	Side - Sub Body, Right	1	1	-	-	
204	14-34-504-01	Side - Sub Body, Left	1	1	-	-	
205	14-34-324-01	Side - Sub Body, Lower Right	-	1	-	-	
206	14-34-325-01	Side - Sub Body, Lower Left	-	1	-	-	
207	14-34-233-01	Sub Body Bottom - Lower	-	1	-	-	Not Illustrated
208	14-34-234-01	Sub Body Bottom - Upper	-	1	-	-	Not Illustrated
209	14-34-088-01	Sub Body Bottom	1	-	-	-	Not Illustrated
210	14-34-425	Shroud - Magnetron	1	1	-	-	
212	14-34-113	Shroud - Magnetron, Left Hand	1	1	-	-	
213	14-12-891	Sleeve - Duct	1	1	-	-	
214	14-29-323	Socket - Clock Light	1	1	-	-	
215	14-29-322	Socket - Dial Light	2	3	-	-	
216	13-09-325	Socket - Oven Light	1	1	-	-	Microwave Oven
217	14-12-830	Socket Assembly - Oven Light	-	1	-	-	Lower Oven
218	14-19-030	Solenoid - Latch	1	1	-	-	Microwave Oven
219	14-19-099	Solenoid - Latch	-	1	-	-	Lower Oven
220	14-34-305	Spacer - Window	-	-	1	-	Microwave Oven Door
222	14-29-041	Spring - Broil Stop	2	2	-	-	Not Illustrated
223	14-19-100	Spring - Locking Bolt	-	1	-	-	Lower Latch
224	14-19-914	Spring - Oven Door	-	2	-	-	Lower Oven
225	14-34-368	Spring Assembly - Oven Door	2	2	-	-	Microwave Oven
226	14-19-048	Spring - Solenoid	1	1	-	-	Upper Latch
227	14-34-159	Stop - Hinge Arm	2	2	-	-	
228	14-12-308-11	Strike - Door	-	-	-	1	Lower Oven Door
	14-34-008-11	Strike - Door	-	-	1	-	Microwave Oven Door
230	14-12-460	Support - Thermostat Bulb	-	1	-	-	Lower Oven
231	14-34-128	Support - Broil	5	5	-	-	Microwave Oven
232	14-19-902	Support - Thermostat Bulb	1	1	-	-	Microwave Oven
234	14-19-861	Switch - Blower, S.P.D.T.	1	1	-	-	
235	14-29-294	Switch - Hinge Interlock	1	1	-	-	H.I.S. Normally Open
236	14-19-082	Switch - Lower Latch	-	1	-	-	
237	14-19-930	Switch - Latch Interlock & Door Interlk.	2	2	-	-	L.I.S., D.I.S.
238	14-19-859	Switch - Interlock	1	1	-	-	L.I.S.
239	14-29-256	Switch - Blower	1	1	-	-	
240	14-29-295	Switch - Failure Detector	1	1	-	-	F.D.S. Normally Closed
241	14-19-862	Switch - Panel Light	2	3	-	-	

ITEM NO.	PART NO.	DESCRIPTION	QUANTITY ON MODELS				REMARKS
			OVENS		DOORS		
			CMT-19	CMT-21	CMT-28G	MSC-28G	
242	14-19-863	Switch - Latch Release	1	1	-	-	
243	14-19-876	Switch - Microwave Power	1	1	-	-	4 Push Buttons
244	14-29-159	Switch - Selector	1	2	-	-	5 Push Buttons
245	14-19-809	Switch - Shutter Interlock	1	2	-	-	
247	14-19-365	Thermostat - Hi Temp Cutout	1	2	-	-	
248	14-19-366	Thermostat - Blower	1	2	-	-	
249	14-19-759	Thermostat - Magnetron Cut-Out	1	1	-	-	
250	14-19-866	Thermostat	-	1	-	-	Lower Oven
251	14-29-286	Thermostat	-	1	-	-	Microwave Oven
252	14-29-285	Thermostat	1	-	-	-	Microwave Oven
253	14-34-462	Top - Plenum	1	1	-	-	
254	14-29-433	Transformer	1	1	-	-	
-	14-90-181	Screw	4	4	-	-	
-	14-93-003	Nut	4	4	-	-	
-	14-92-004	Washer	4	4	-	-	
255	14-09-529	Transformer - Probe	1	1	-	-	
256	14-29-222	Timer - Microwave	1	-	-	-	
-	14-29-246	Timer - Microwave	-	1	-	-	
-	14-90-166	Screw	2	2	-	-	
257	14-34-513	Trim - Front Left	1	-	-	-	
258	14-34-512	Trim - Front Right	1	-	-	-	
259	14-34-372	Trim - Front Left	-	1	-	-	
260	14-34-371	Trim - Front Right	-	1	-	-	
261	14-34-373	Trim - Front Middle	-	1	-	-	
262	14-34-374	Trim - Bottom Assembly	1	1	-	-	
264	14-19-887	Vent - Oven	1	1	-	-	
265	14-34-266	Wave Guide	1	1	-	-	
266	14-92-061	Washer - Stirrer Bearing	1	1	-	-	
267	14-19-013	Wheel - Blower	1	1	-	-	Not Illustrated
268	14-34-092	Wire Way - Back	-	1	-	-	

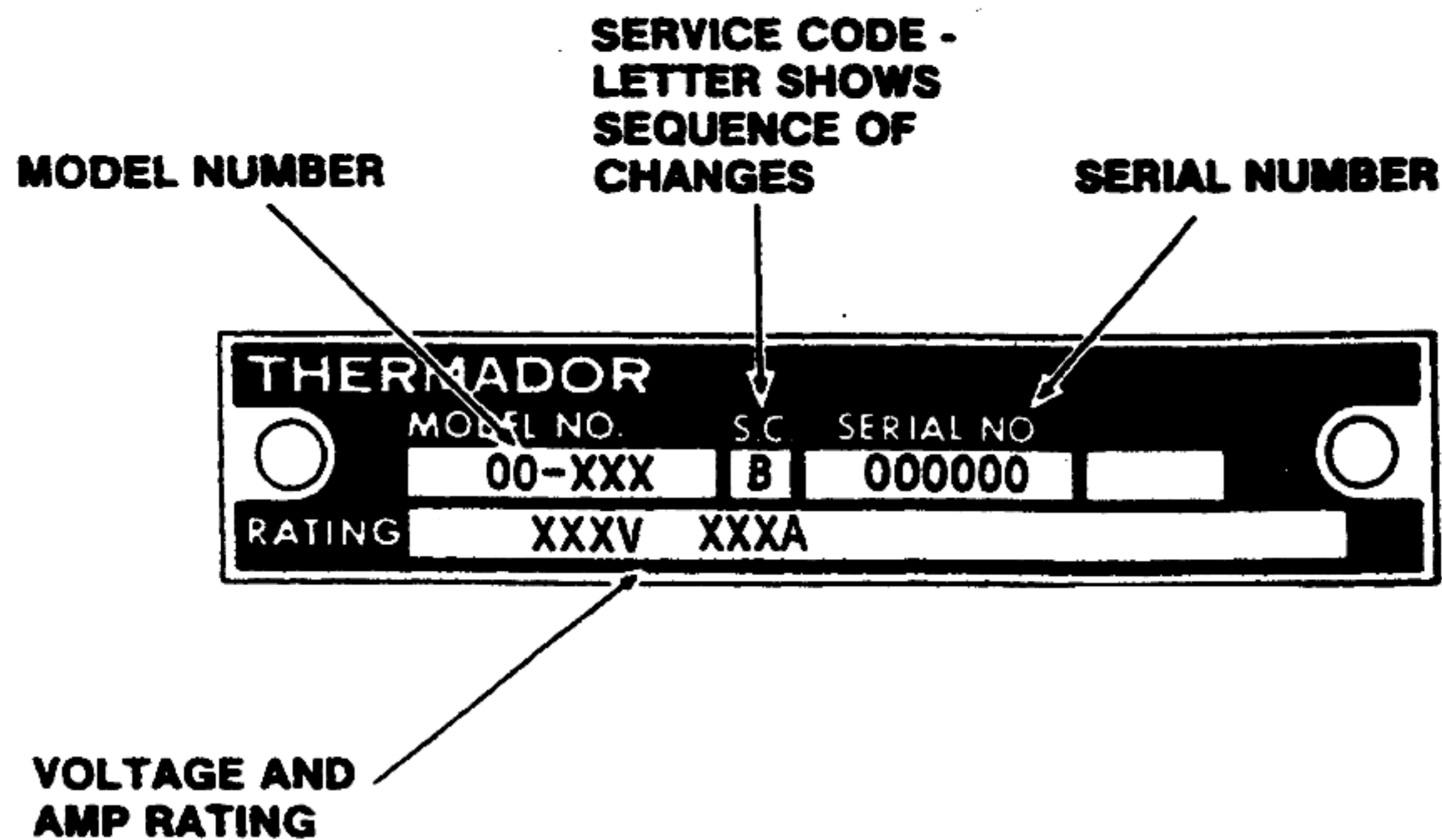
# NOTES



## NOTES

# INTRODUCTION TO PARTS CATALOG

The model number can be found on the nameplate mounted vertically behind upper door



## HOW TO ORDER PARTS THROUGH THIS PARTS LIST:

1. To assure receipt of the correct parts, it is first necessary to determine the complete model number, service code, and date from the nameplate.
2. Locate the part on the appropriate illustration in this book and note the "item number" pointing to the part.
3. Using the item number as a guide, the part can be located in the parts list following the illustrations. The illustration should be used to check the part.

The parts list is tabulated in columns with five groupings, the headings of which are explained below:

ITEM	PART NO.	DESCRIPTION	MODEL NO.		REMARKS
			OVENS	DOORS	

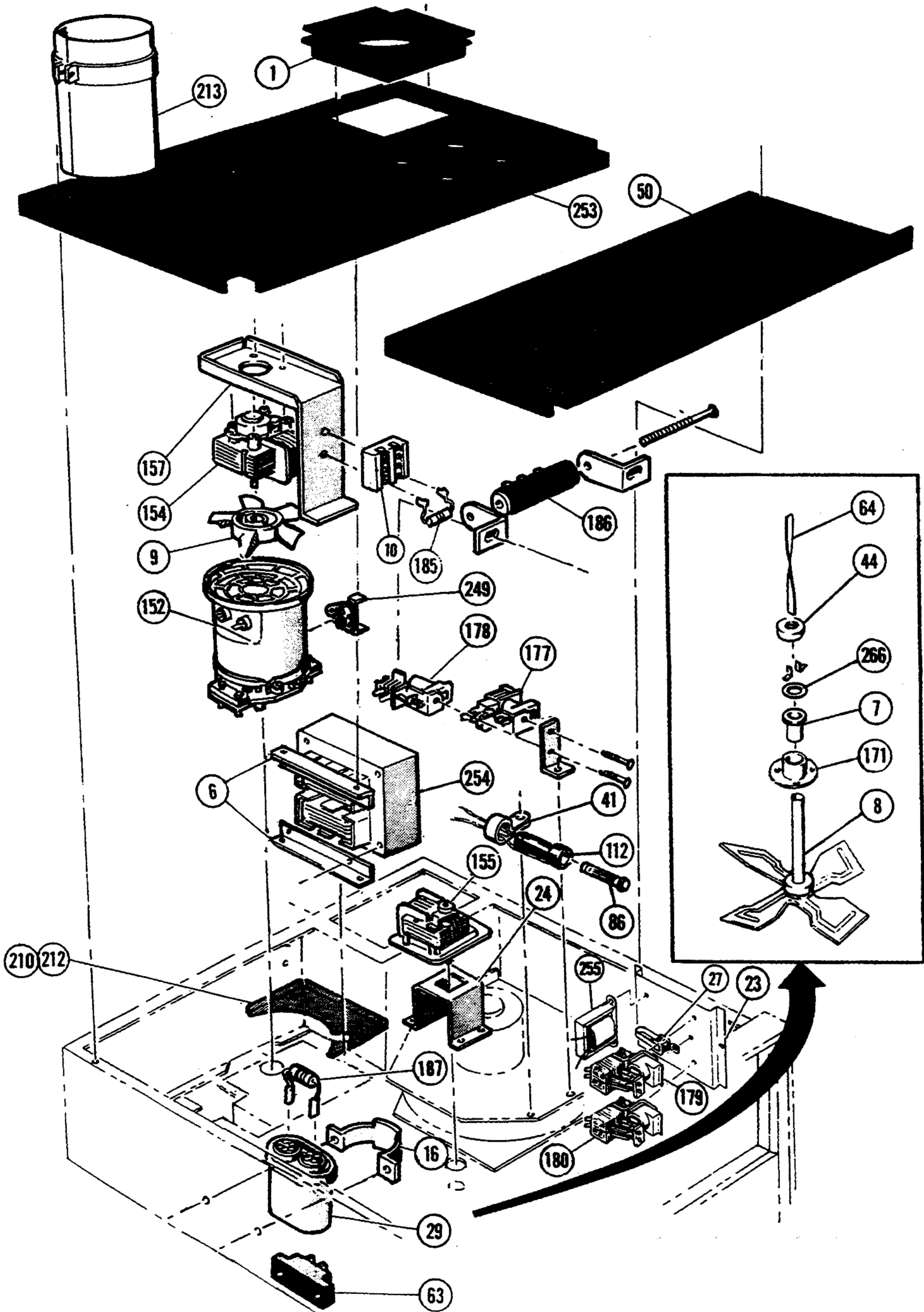
**ITEM NUMBER**  
gives part identification on illustrations. These are listed in numerical order.

**DESCRIPTION**  
Parts are described here. If the part is repeated, reference must be made to the Models column to find the correct part and quantity per model. When description is unknown, pictures should give the "item number".

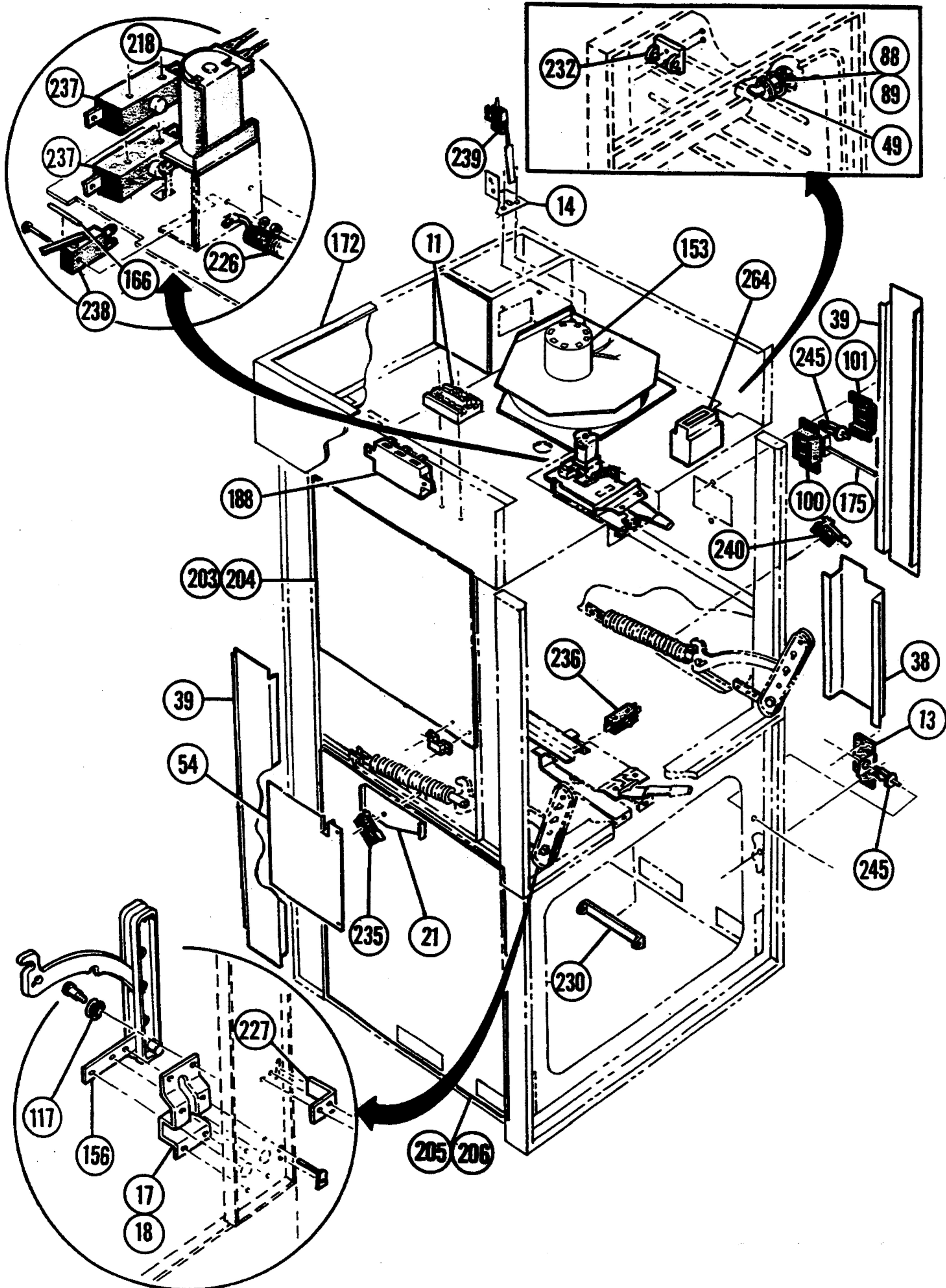
Notice that Part Descriptions are listed in alphabetical order.

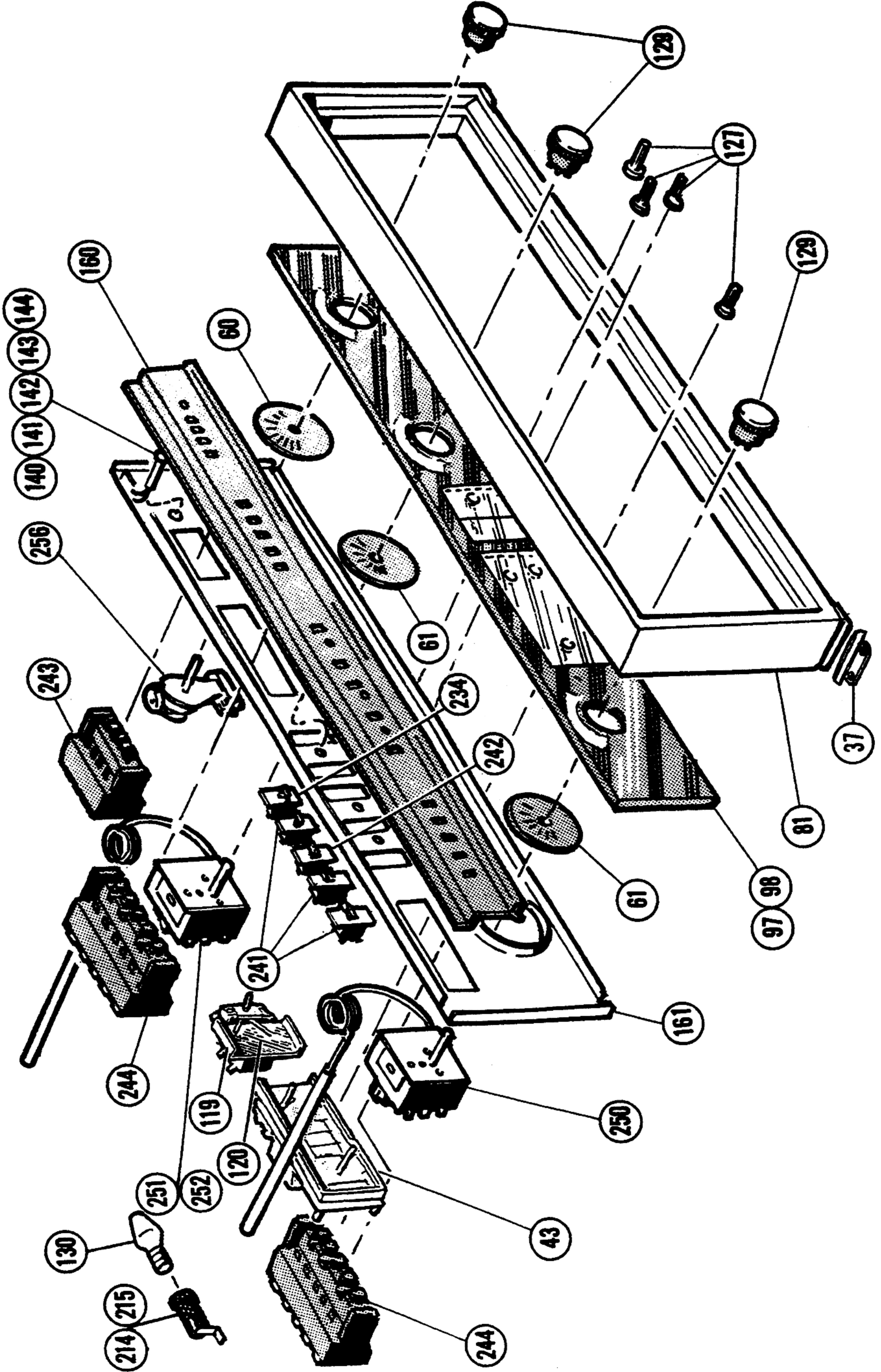
**MODELS**  
A dash here shows non-use on a particular model. A number will show use; the exact quantity is indicated by the amount of the number.

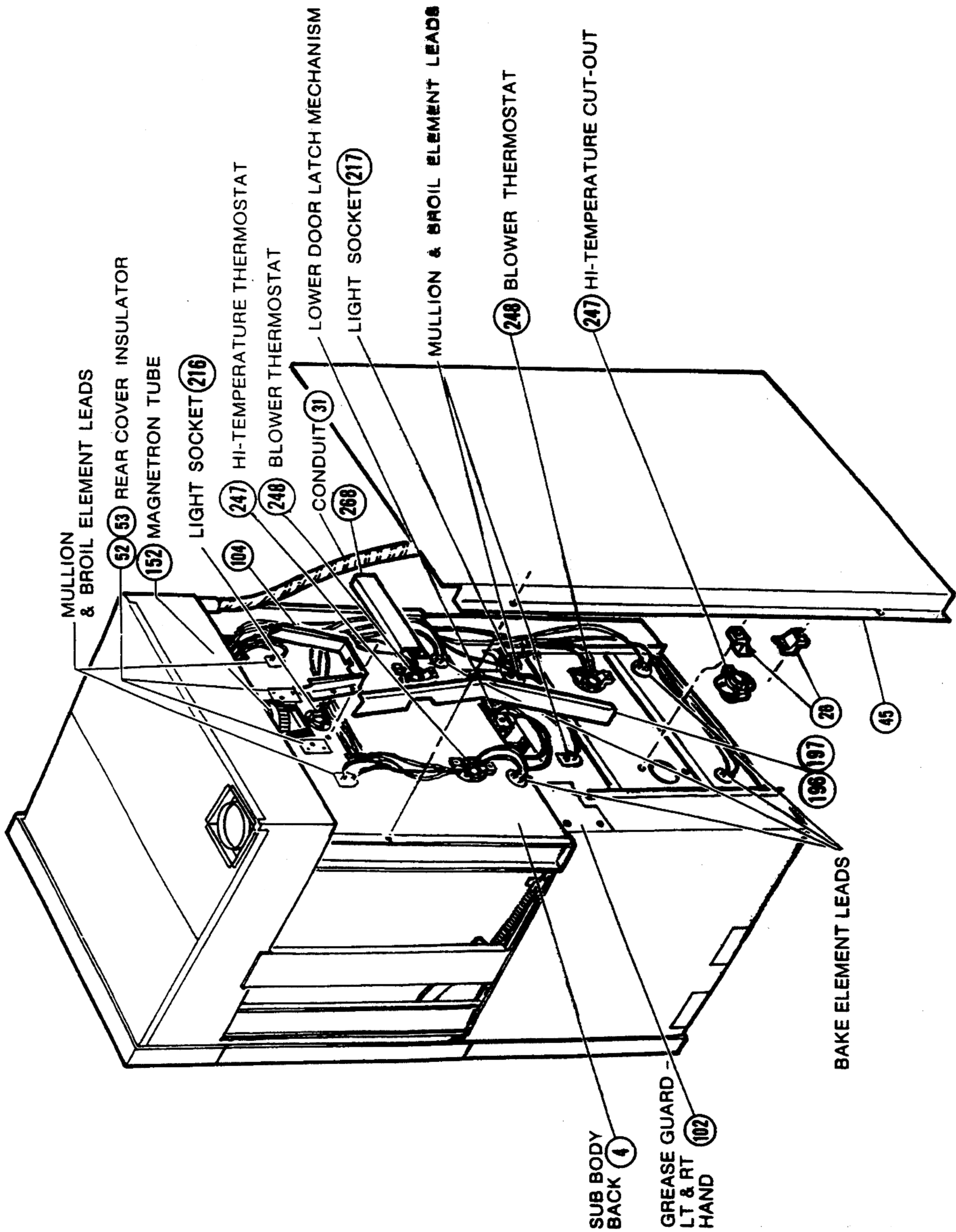
**REMARKS**  
This column further clarifies part selection by showing in more detail description, usage, or location of the part.

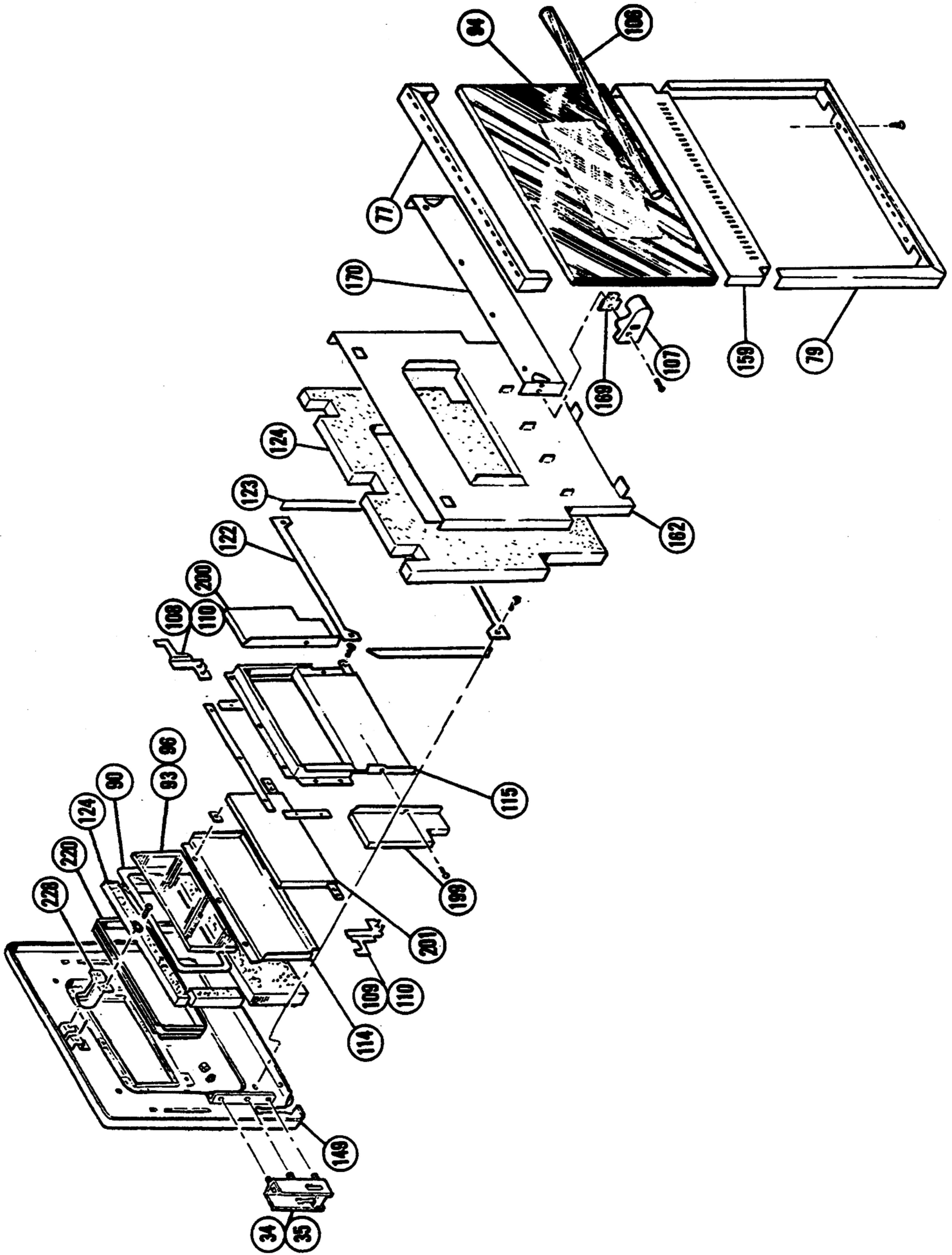


# SWITCHES AND ADDITIONAL PARTS









ITEM NO.	PART NO.	DESCRIPTION	QUANTITY ON MODELS				REMARKS
			OVENS		DOORS		
			CRT-19	CRT-21	CRT-2BG	HSC-2BG	
1	14-12-002-01	Adapter - Discharge	1	1	-	-	
2	14-11-886	Arm - Hinge Assembly	-	2	-	-	Lower Oven
4	14-34-332	Back - Sub Body	1	1	-	-	
5	14-12-827	Base - Lens	-	1	-	-	Lower Oven
6	14-34-052	Base - Transformer	4	4	-	-	
7	14-19-932	Bearing - Stirrer	1	1	-	-	
8	14-34-217	Blade - Stirrer Assembly	1	1	-	-	
9	14-29-038	Blade - Cooling Fan	1	1	-	-	
10	14-29-266	Block - Terminal	1	1	-	-	
11	14-29-163	Block - Terminal	1	1	-	-	
13	14-12-611-01	Bracket - Interlock Mount	-	1	-	-	
14	14-32-004	Bracket - Blower Switch	1	1	-	-	
15	14-12-462	Bracket - Cable Roller	-	2	-	-	Lower Oven
16	14-14-735	Bracket - Capacitor	1	1	-	-	
17	14-34-206	Bracket - Hinge Mount, Right	1	1	-	-	Microwave Oven
18	14-34-207	Bracket - Hinge Mount, Left	1	1	-	-	Microwave Oven
19	14-12-862-11	Bracket - Hinge, Left	-	1	-	-	Lower Oven
	14-12-863-11	Bracket - Hinge, Right	-	1	-	-	Lower Oven
21	14-34-288-01	Bracket - Interlock Mount, Right	1	1	-	-	Failure Detector
	14-34-289-01	Bracket - Interlock Mount, Left	1	1	-	-	Hinge Interlock
23	14-34-510	Bracket - Relay Mounting	1	1	-	-	
24	14-34-042-01	Bracket - Stirrer Motor	1	1	-	-	
25	14-12-631-01	Bracket - Tempmatic Mounting	1	1	-	-	Not Illustrated
26	14-19-369	Bracket - Thermostat Mounting	4	8	-	-	High-Temp. & Blower
27	14-09-721	Buzzer - Tempmatic	1	1	-	-	
28	14-19-150	Cable - Hinge, with Lug	-	2	-	-	Lower Oven
29	14-29-037	Capacitor - 1.0 MFD	1	1	-	-	
31	14-34-263	Conduit - Flex., 1/2X60"	-	1	-	-	
	14-12-157	Conduit - Flex., 1/2X48"	1	-	-	-	
34	14-08-305-02	Channel - Hinge Mount, Right Hand	-	-	-	1	Lower Oven Door
35	14-08-306-02	Channel - Hinge Mount, Left Hand	-	-	-	1	Lower Oven Door
36	14-12-472	Channel - Solenoid Mounting	-	1	-	-	Lower Latch Assembly
37	14-34-033-12	Clip	2	2	-	-	
38	14-34-125-01	Cover - Side, Lower	-	1	-	-	
39	14-34-124-01	Cover - Side, Upper	2	2	-	-	
41	14-19-600	Clamp - Fuse Holder	1	1	-	-	
43	14-29-155	Clock Timer	1	1	-	-	
44	14-19-931	Collar - Stirrer	1	1	-	-	



ITEM NO.	PART NO.	DESCRIPTION	QUANTITY ON MODELS				REMARKS
			OVENS		DOORS		
			CMT-		CMT-MSC-		
			19	21	2BG	2BG	
45	14-34-134	Cover - Back	-	1	-	-	
46	14-34-135	Cover - Back	1	-	-	-	
47	14-34-172	Cover - Hook Slot, Microwave Oven	1	1	-	-	
48	14-19-877	Cover - Stirrer, Glass	1	1	-	-	
49	14-34-136	Cover - Capillary, Microwave Oven	1	1	-	-	
50	14-34-202	Cover - Control	1	1	-	-	
51	14-12-276	Cover - Hook Slot	-	1	-	-	Lower Oven
52	14-34-121	Cover - Rear Insulation, Right Hand	1	1	-	-	
53	14-34-122	Cover - Rear Insulation, Left Hand	1	1	-	-	
54	14-34-406-01	Cover - Interlock, Right and Left	2	2	-	-	
55	14-34-392-01	Cover - Probe	2	2	-	-	Not Illustrated
56	14-34-518	Cover - Probe Receptacle	1	1	-	-	Not Illustrated
58	14-34-174-01	Deflector	1	1	-	-	Microwave Oven
59	14-34-511-01	Deflector	-	1	-	-	Lower Oven
60	14-29-248	Dial - Microwave Timer	1	1	-	-	
61	14-19-853	Dial - Thermostat	1	2	-	-	
63	14-19-723	Diode	1	1	-	-	
64	14-34-178	Drive - Stirrer	1	1	-	-	
66	14-34-381	Element - Bake	1	1	-	-	Microwave Oven
67	14-19-945	Element - Bake	-	1	-	-	Lower Oven
68	14-19-873	Element - Broil	1	1	-	-	Microwave Oven
69	14-19-944	Element - Broil	-	1	-	-	Lower Oven
70	14-12-125	Element - Broil with Reflector	-	1	-	-	Lower Oven
71	14-34-318	Element - Mullion	1	1	-	-	Microwave oven
72	14-12-426	Element - Mullion	-	1	-	-	Lower Oven
73	14-34-073	Filter	2	2	-	-	Microwave Oven
74	14-12-668	Filter	-	2	-	-	Lower Oven
76	14-29-173	Foot - Ceramic, Bake Element	2	2	-	-	Microwave Oven
77	14-34-407	Frame - Door, Top	-	-	1	-	Microwave Oven
	14-12-622	Frame - Door, Top	-	-	-	1	Lower Oven
79	14-34-398	Frame - Door, Bottom	-	-	1	-	Microwave Oven
	14-12-566	Frame - Door, Bottom	-	-	-	1	Lower Oven
81	14-34-290	Frame - Control Panel	1	1	-	-	
82	14-34-485-11	Frame - Front, Lower	-	1	-	-	
83	14-34-486	Frame - Front, Upper	-	1	-	-	