



**ELECTROLUX HOME PRODUCTS PTY LTD**  
ABN 51 004 762 341

Technical Publication N° CG117

Issue: 2  
Date: 12/08

**WEB SITE ADDRESS: [www.partnship.com.au](http://www.partnship.com.au)**

**WESTINGHOUSE**

**GAS**  
**UNDERBENCH OVENS**  
**“N” SERIES**

**MODELS:**

**GON474WNG\*32**

**GON474WLP\*32**

**GON476WNG\*32**

**GON476WLP\*32**

<b>VARIANT CHANGE SUMMARY</b>
-------------------------------

<b>*32</b> Replace standard knobs with Electrolux white knobs.
--

<b>First Built Dates:</b>	
---------------------------	--

<b>GON474WNG*32</b>	<b>4/07</b>
<b>GON474WLP*32</b>	<b>4/07</b>
<b>GON476WNG*32</b>	<b>4/07</b>
<b>GON476WLP*32</b>	<b>4/07</b>

<b>CONTENTS</b>	<b>PAGE N°</b>
FIRST BUILT DATES	2
CONTENTS	3
OVEN ASSEMBLY	4 - 5
PANEL DECK ASSEMBLY	6
CHASSIS ASSEMBLY	7
CONTROL PANEL ASSEMBLY GON474	8
CONTROL PANEL ASSEMBLY GON476	9
INTERNAL PACK	10
OVEN DOOR ASSEMBLY	11
GAS CONVERSION KITS	12
CIRCUIT DIAGRAMS GON474	13
CIRCUIT DIAGRAM GON476	14

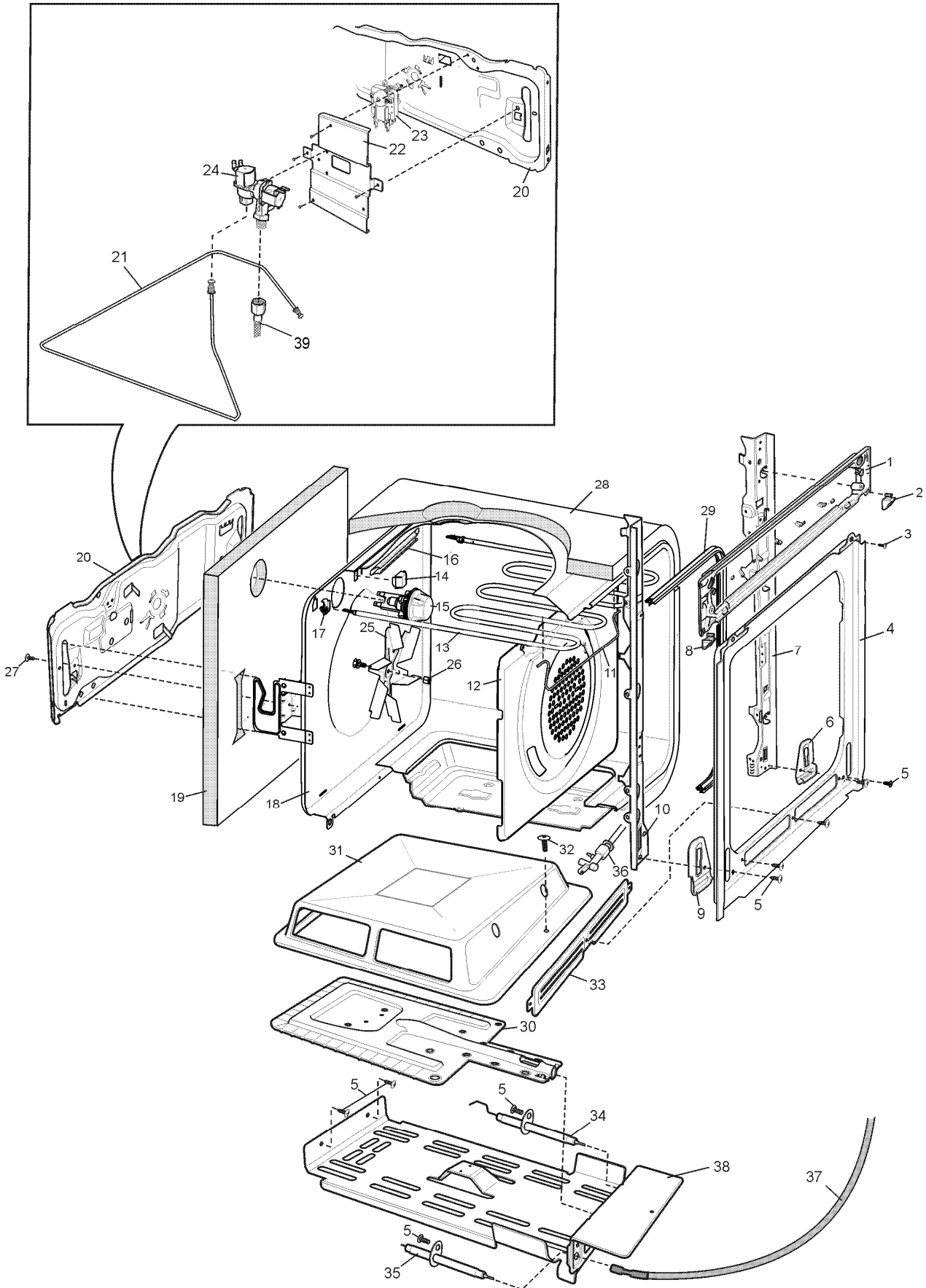
**NOTE: In Parts Listings**

**N.I. = Not Illustrated**  
**N.P.A. = No Part Available**  
**N.P.N. = Not Used on this Model**

MODELS: GON474WNG\*32  
GON476WNG\*32

GON474WLP\*32  
GON476WLP\*32

EX. VIEW DRAWING 5800  
OVEN ASSEMBLY

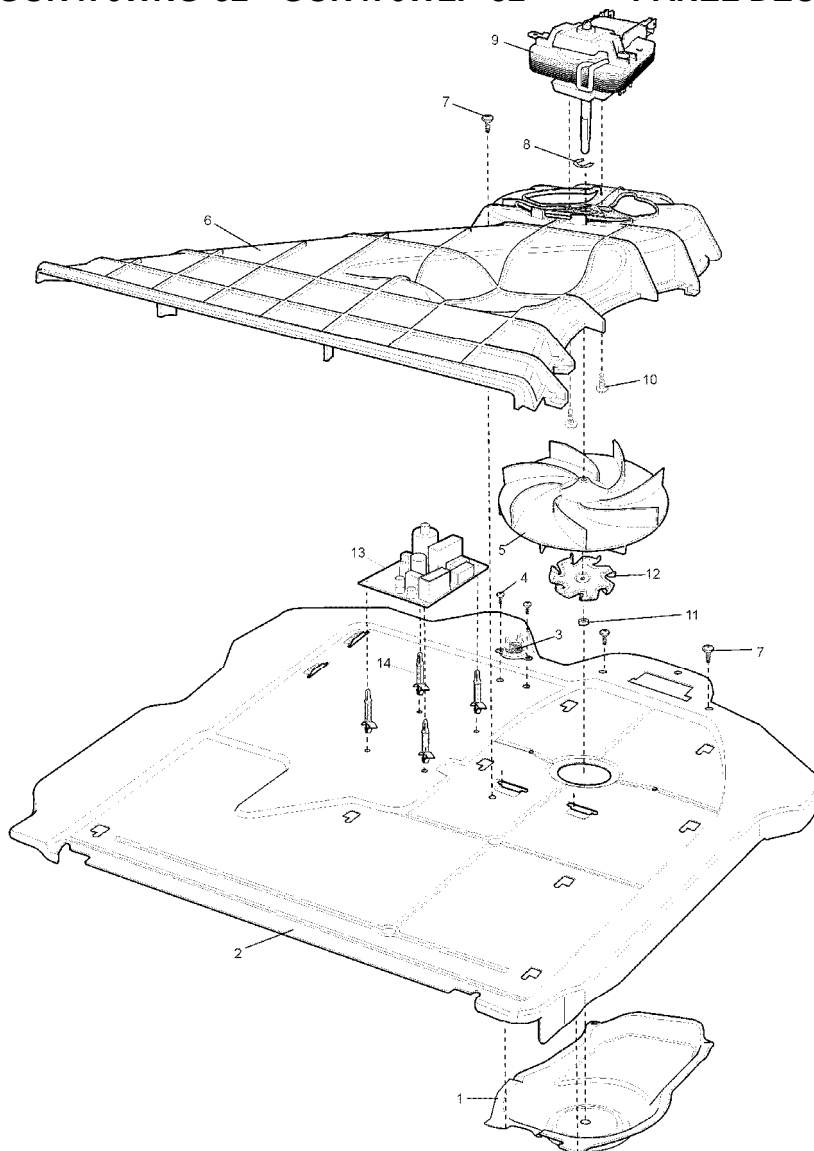


ITEM	PART N°	DESCRIPTION Ex 5800	QTY
1	0545 002 660	TRIM SURROUND C/PANEL BIOS	1
2	0125 008 360	CLIP INSTALL BIOS RH	1
3	0750 003 032	SCREW M4/0.7 X10 MUSH	5
4	0081 009 933	FRAME FRONT ENAM GAS UB BIOS	1
5	0701 009 027	SCREW #8 X 1/2 MUSH #2PH AB BK	4
6	0545 002 694	TRIM HINGE BTM RH BIOS	1
7	0048 004 702	CHANNEL FRONT UB RH BIOS	1
8	0125 008 375	CLIP INSTALL BIOS LH	1
9	0545 002 695	TRIM HINGE BTM LH BIOS	1
10	0048 004 703	CHANNEL FRONT UB LH BIOS	1
11	0012 018 695	SUPPORT ELEMENT GRILL BIOS	1
12	0038 016 830	PANEL FAN COVER GAS ENAM BIOS	1
13	0122 004 538	ELEMENT GRILL 2200W S/S321	1
14	0125 008 371	CLIP THERMOSTAT BIOS	1
15	389 0793 04	HOLDER LAMP ASSY BIOS	1
N.I.	LM003	LAMP 25W SES E14 300°C CLEAR (PT OF ITEM 15)	1
16	0349 001 377	SHIELD THERMO BULB BIOS	1
17	0125 008 345	CLIP ELEMENT MOUNT OC98/UC20	2
18	0395 002 095	OVEN ENAM GAS FAN U/B GIO BIOS	1
19	0374 005 198	INSULATION OVEN BACK BIOS	1
20	0489 001 159	BRACE OVEN REAR HOLES B/I BIOS	1
21	0055 007 150	TUBE OVEN SUPPLY B/I BIOS	1
22	0022 041 154	PLATE SUPPORT VALVE BIOS	1
23	0214 002 118	MOTOR FAN OVEN - BIOS	1
24	0579 001 034	SOLENOID VALVE GAS-20VDC DBL	1
25	0026 001 042	FAN IMPELLER OVEN BIOS	1
26	0065 009 259	NUT M6 L/H FAN MOTOR ECM	1
27	0701 009 033	SCREW #8 X 8MM HEX/MULTI	2
28	0374 005 217	INSULN OVEN WRAP GAS B/I BIOS	1
29	0208 003 452	SEAL OVEN MK2 BIOS	1
30	0004 008 520	BURNER OVEN B/I BIOS	1
31	0028 025 388	COVER O/BURN GAS ENAM BIOS	1
32	0750 001 033	SCREW #8 X 3/4 STEPPED PAN BLK	1
33	0047 003 103	VENT GRILLE F/F - GAS BIOS	1
34	0049 001 203	PLUG FLAME SENSOR B/I BIOS	1
35	0049 001 202	PLUG IGNITION B/I BIOS	1
36	0212 002 093	HOLDER INJECTOR O/BURN BI BIOS	1
37	0173 020 070	WIRE ASSY H/S 9081-12-12-0850	1
38	0022 041 099	PLATE AERATION ASSY B/I BIOS	1
39	0571 001 204	HOSE FLEX 1.7M LONG BIOS-BI	1
N.I.	0702 007 060	SCREW #4 X12 T25 W/HD PHIL#2	X
N.I.	0701 003 073	SCREW #8 X 5/8 CSK #2PH AB BK	X

**MODELS:**

**GON474WNG\*32 GON474WLP\*32**  
**GON476WNG\*32 GON476WLP\*32**

**EX. VIEW DRAWING 5795**  
**PANEL DECK ASSEMBLY**

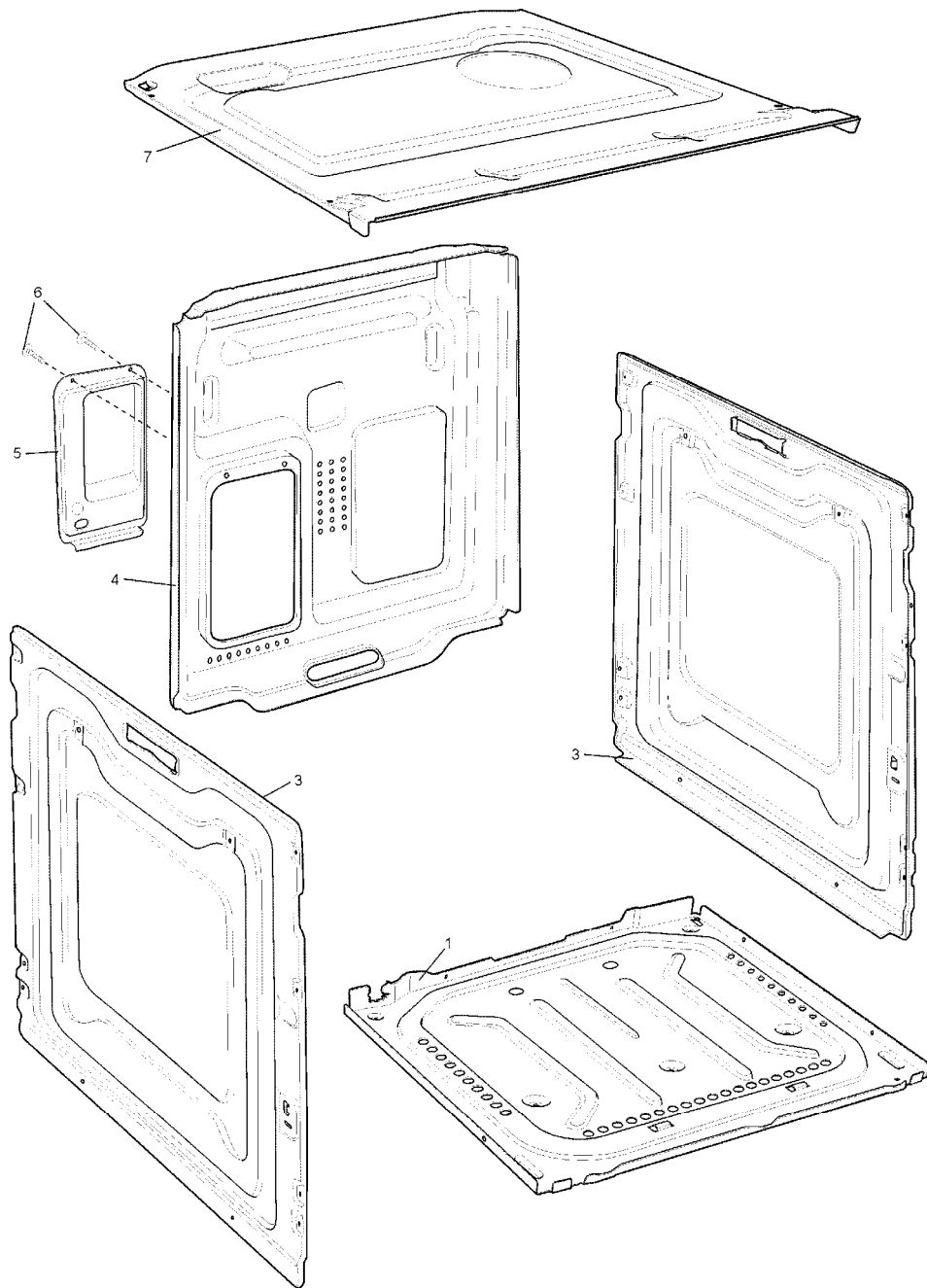


ITEM	PART N°	DESCRIPTION	Ex 5795	QTY
1	0092 001 202	FLUE DUCT OVEN U/B GAS BIOS		1
2	0038 003 298	PANEL DECK INTER GAS BIOS		1
3	0541 001 232	THERMAL CUTOUT 145 DEG N.C.		1
4	0701 002 113	SCREW #6 X 9.5 PAN PHIL ZC		2
5	REFER ITEM 6	FAN IMPELLER COOLING BIOS		1
6	0257 001 033	CANOPY & FAN ASSY (INC ITEM 5, 8, 9, 10 11 & 12)		1
7	0701 009 027	SCREW #8 X 1/2 MUSH #2PH AB BK		3
8	0707 010 031	SPEED CLIP #8 8526/17/320		1
9	REFER ITEM 6	MOTOR FAN COOLING - BIOS		1
10	9000660000	SCREW M4 X 15 PAN FLANGE BIOS		3
11	REFER ITEM 6	NUT HEX M4 X 0.7		1
12	REFER ITEM 6	PLATE INSUL FAN BIOS		1
13	0673 001 063	IGNITOR 1PT - DSI - REIGN		1
14	0125 008 378	CLIP STAND-OFF 22MM-GAS BIOS		4
N.I.	0706 003 013	WASHER 1.5 X 10 X 4		3

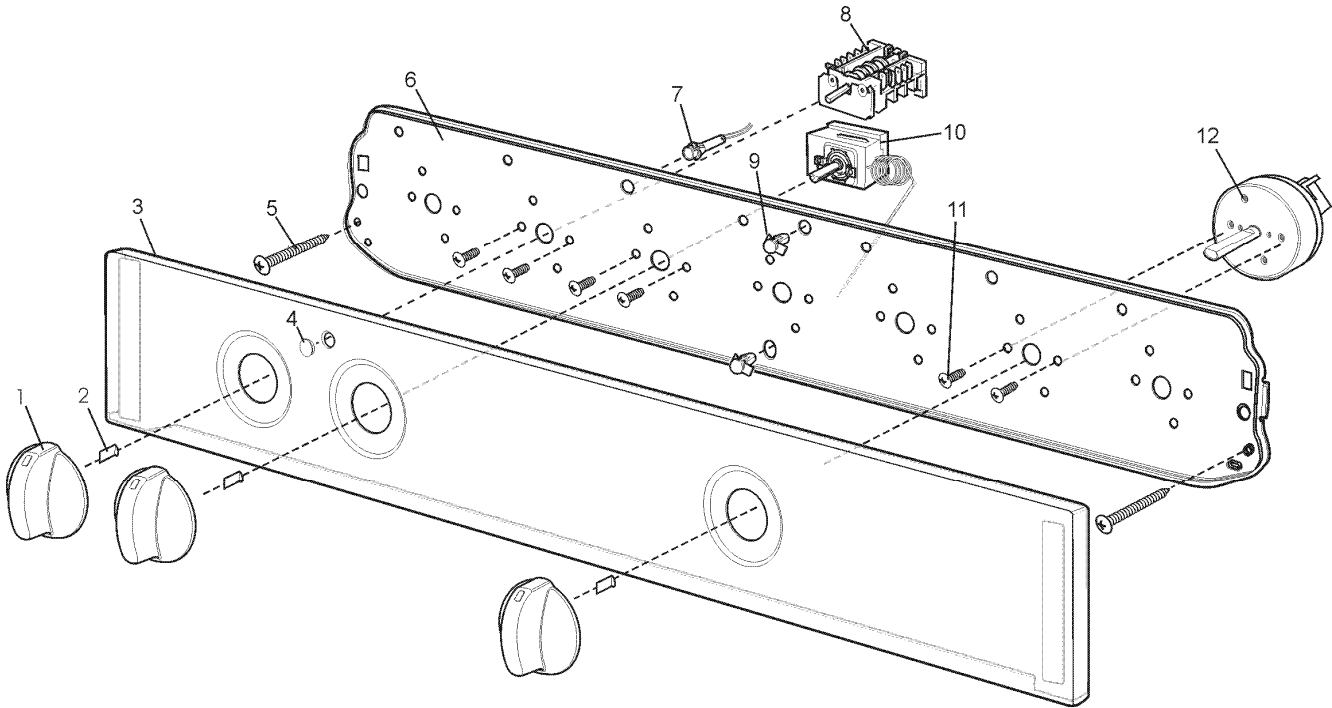
**MODELS:**

**GON474WNG\*32 GON474WLP\*32**  
**GON476WNG\*32 GON476WLP\*32**

**EX. VIEW DRAWING 5475**  
**CHASSIS ASSEMBLY**

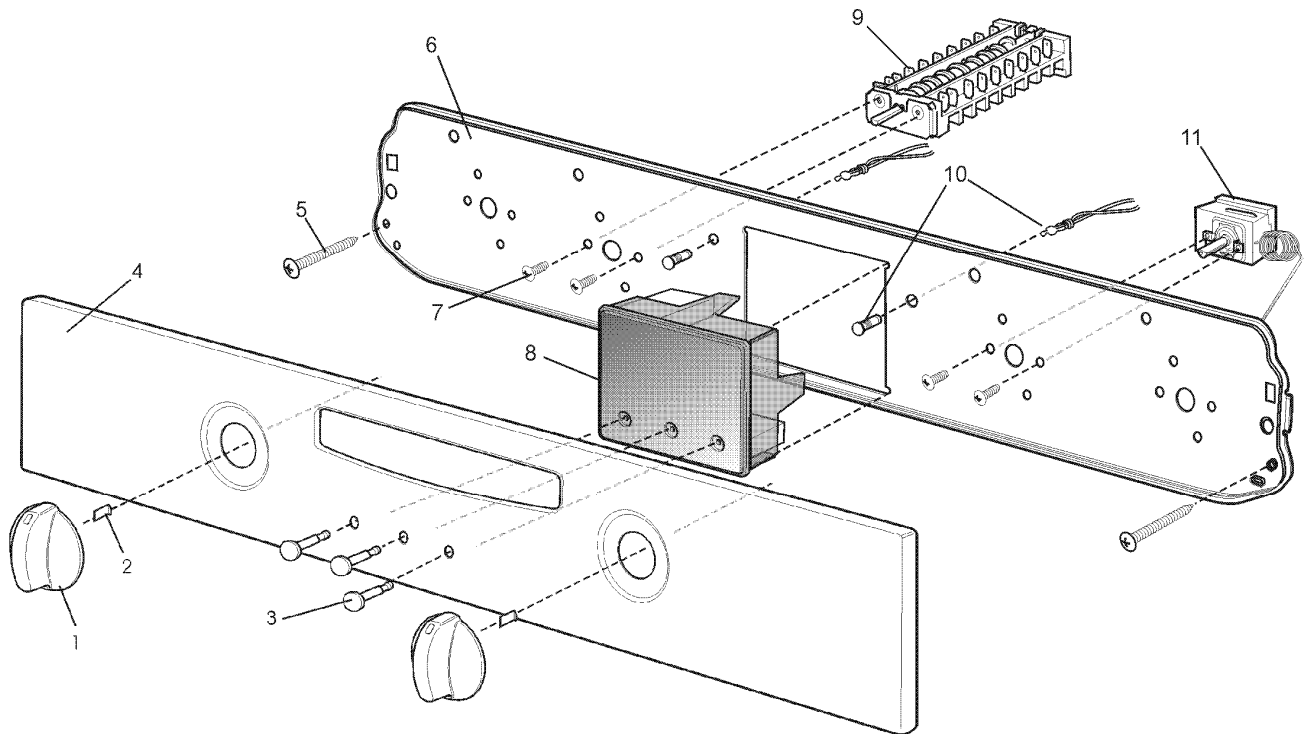


ITEM	PART N°	DESCRIPTION	Ex. 5475	QTY
1	0038 003 291	PANEL BASE BIOS		1
3	0038 006 772	PANEL SIDE UB BIOS		2
4	0038 008 080	PANEL COVER WIRE UB BIOS		1
5	0022 041 137	PLATE CVR TERM GAS B/I BIOS		1
6	0701 009 033	SCREW #8 X 8MM HEX/MULTI		X
7	0038 005 617	PANEL TOP BIOS		1
N.I.	0215 002 099	CABLE SERVICE CORD (10 A) BIOS		1



ITEM	PART N°	DESCRIPTION	Ex. 5459	QTY
1	0019 008 111	KNOB W/HOUSE WHITE 7801 (INC ITEM 2)		3
2	29143982	CLIP KNOB (PT OF ITEM 1)		3
3	0255 003 683	GLASS & CLIPS GON474W BIOS		1
4	0600 001 069	LENS INDICATOR BIOS		0
5	0701 009 035	SCREW #8 X 38 PAN QUADREX		2
6	0022 041 102	PLATE MTG SWITCH MULTI 7 BIOS		1
7	0060 002 091	LIGHT INDICAT BIOS 240V 600MM		1
8	0534 001 737	SWITCH MULTI 4 GAS BIOS		1
10	0541 001 931	THERMOSTAT OVEN - EGO		1
11	0150 005 259	SCREW M4 X 5 PAN #2PH SMALL HD		6
12	0574 001 258	TIMER 2HR CUTOFF PEAPSA		1

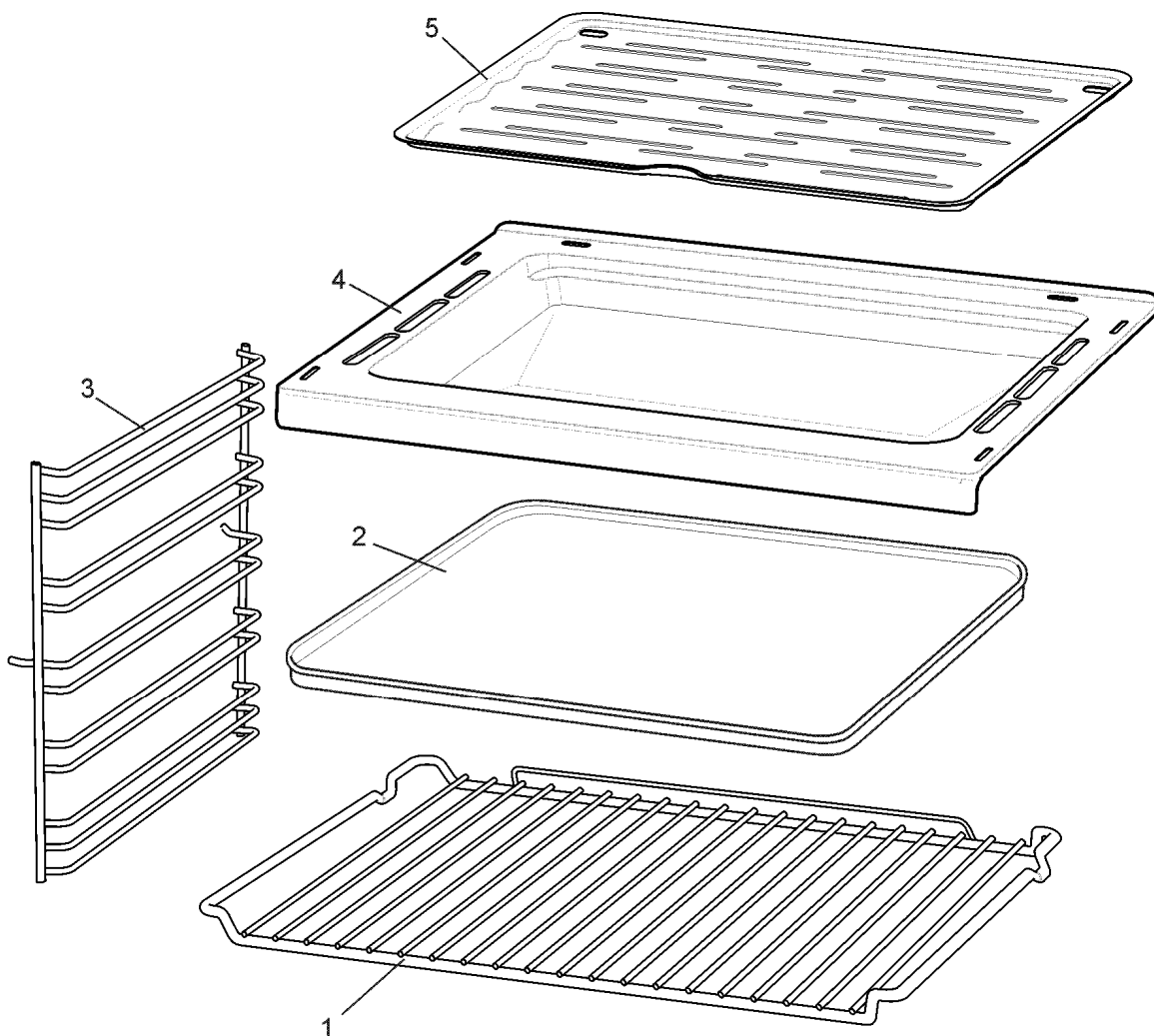




ITEM	PART N°	DESCRIPTION	Ex. 5523	QTY
1	<b>0019 008 111</b>	KNOB W/HOUSE WHITE 7801 (INC ITEM 2)		3
2	<b>29143982</b>	CLIP SPRING KNOB (PT OF ITEM 1)		3
3	<b>0574 001 253</b>	BUTTON CLCK WHT 3-B DIEHL BIOS		3
4	<b>0038 011 715</b>	PNL CNT & CLIPS GON476S BIOS		
	<b>0255 003 618</b>	GLASS & CLIPS GON476W BIOS		1
5	<b>0701 009 035</b>	SCREW #8 X 38 PAN QUADREX		2
6	<b>0022 041 118</b>	PLATE MTG SW DIEHL BIOS		1
7	<b>0150 005 259</b>	SCREW M4 X 5 PAN #2PH SMALL HD		4
8	<b>387 1247 00</b>	CLOCK 3 BTN EASYTIME 3 W/RELAY		1
9	<b>0534 001 738</b>	SWITCH MULTIF'N 5 - MAXI GRILL		1
10	<b>0609 100 260</b>	LIGHT INDICATOR INC LENS		2
11	<b>0541 001 931</b>	THERMOSTAT OVEN - EGO		1

MODELS: GON474WNG\*32 GON474WLP\*32  
GON476WNG\*32 GON476WLP\*32

EX. VIEW DRAWING 5528

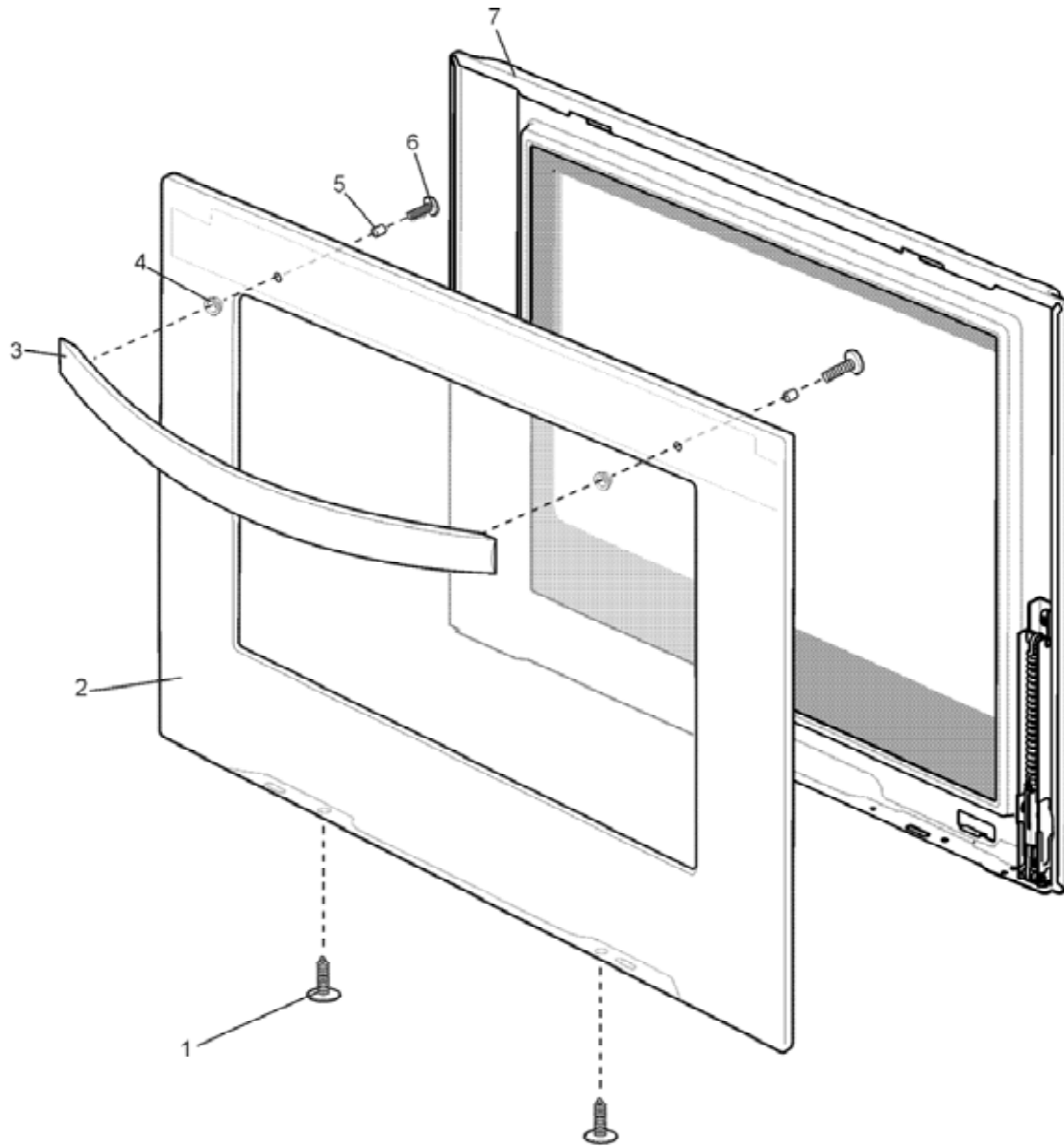


ITEM	PART N°	DESCRIPTION	Ex 5528	QTY
1	<b>0327 001 195</b>	RACK SHELF OVEN BIOS		2
2	<b>0037 004 020</b>	TRAY SCONE NATURAL 012077		2
3	<b>0327 001 201</b>	RACK SIDE SUPPORT OVEN BIOS		2
4	<b>0036 001 103</b>	DISH GRILL ENAM F/WIDTH BIOS		1
5	<b>0028 025 393</b>	COVER GR DISH ENAM S/LESS BIOS		1

**MODELS: GON474WNG\*32  
GON476WNG\*32**

**GON474WLP\*32  
GON476WLP\*32**

**EX. VIEW DRAWING 5529  
OVEN DOOR ASSEMBLY**



ITEM	PART N°	DESCRIPTION	Ex. 5529	QTY
1	<b>0701 009 031</b>	SCREW #8 X 9/16 B/HD S/PT BKOX		2
2	<b>0609 100 230</b>	PAN OV DR OUT ASS PRIM WH KY		1
3	<b>0050 010 723</b>	HANDLE CORE WHT KY		1
4	<b>0137 002 031</b>	INSULATOR HNDL GLASS		2
5	<b>0271 001 304</b>	SPACER HANDLE GLASS DOORS		2
6	<b>0702 004 013</b>	SCREW 3/16X14 PAN PH TRILOB ZP		2
7	<b>0038 001 873</b>	PNL IN OV DR ASS MID GLS WEST		1

## **GAS CONVERSION KITS**

### **0609 001 396 LP CONVERSION KIT**

<b>PART N°</b>	<b>DESCRIPTION</b>	<b>QTY</b>
<b>0131 002 082</b>	NIPPLE INJ 0.82 H/P	1
<b>0151 001 113</b>	ADAPTOR TEST POINT LP UC20	1
<b>0296 004 103</b>	STICKER GAS TYPE - LPG	2
<b>0115 009 011</b>	WASHER SEALING	1

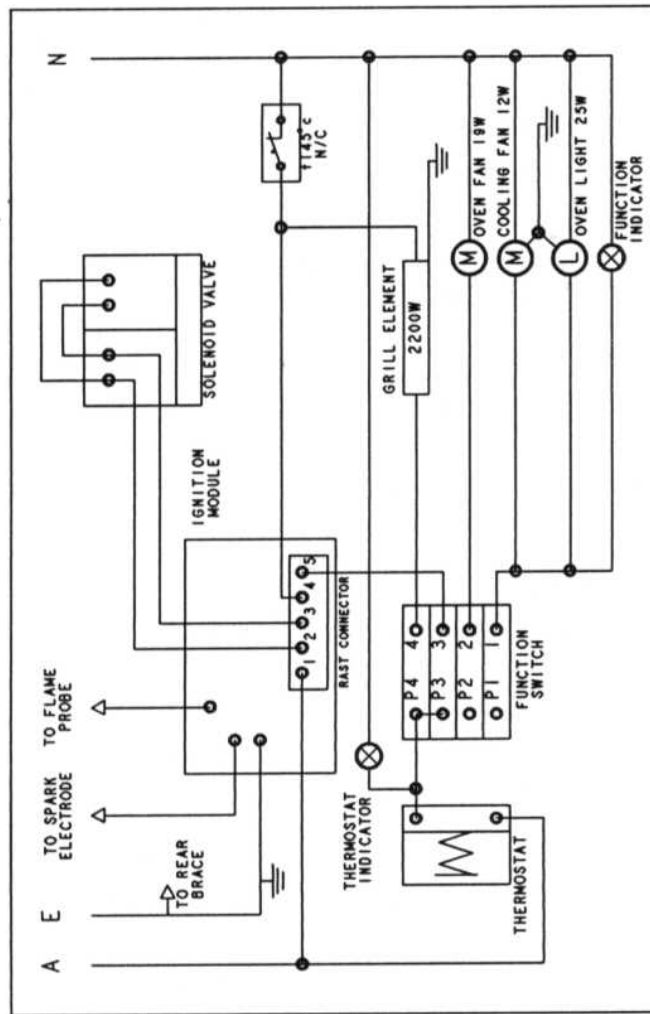
### **0609 001 388 NG CONVERSION KIT**

<b>PART N°</b>	<b>DESCRIPTION</b>	<b>QTY</b>
<b>0131 001 155</b>	NIPPLE INJ 1.50 H/P NG #3	1
<b>0294 001 031</b>	REG GAS NG INTEG T/ PT & SEAT	1
<b>0115 009 011</b>	WASHER SEALING	1
<b>0296 004 100</b>	STICKER GAS TYPE - NG	2

TOTAL KW RATING = 2.3 KW (9.6A)

THIS RANGE MUST BE CONNECTED WITH  
CABLE OF 90°C RATING MINIMUM  
WARNING: THIS RANGE MUST BE EARTHED

FUNCTION	P1	P2	P3	P4
OFF	0			
FAN FORCED	1	X		X
CONV. BAKE	2	X	X	X
GRILL	3	X		X



**DANGER 240V**  
DISCONNECT POWER BEFORE  
SERVICING UNIT

**INSTALLATION INSPECTOR PLEASE NOTE:**  
THIS PRODUCT HAS PASSED THE INSULATION RESISTANCE TEST AFTER MANUFACTURE. IF THE RESISTANCE READING IS LOW AT INSTALLATION, IT IS PROBABLY CAUSED BY MOISTURE FROM THE ATMOSPHERE BEING ABSORBED BY THE ELEMENTS AFTER THE RANGE HAS BEEN PRODUCED. (PASS AT 0.01 MΩ AS/NZS 3000 WIRING RULES CLAUSE I.11.2.3).

P/No 165-2-332  
ECN 05A003A

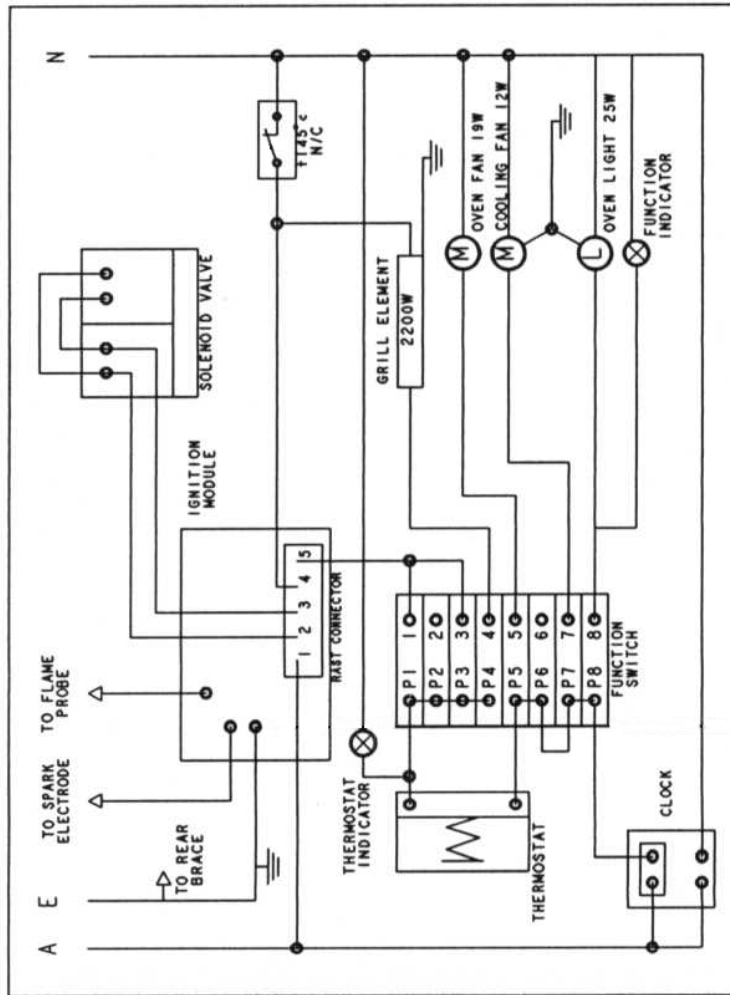
**WARNING**

IT IS ILLEGAL FOR PERSONS OTHER THAN LICENSED ELECTRICAL MECHANICS OR PERSONS AUTHORISED BY LEGISLATION TO WORK ON THE FIXED WIRING OF ANY ELECTRICAL INSTALLATION. PENALTIES FOR CONVICTION ARE SEVERE.

**IMPORTANT SAFETY NOTICE**

This diagram has been prepared for use by electrically qualified service technicians. The manufacturer cannot be held responsible for the interpretation of its service publications nor for any injury or damage that may occur in connection with their use.

TOTAL KW RATING = 2.3 KW (9.6A)



FUNCTION	P1	P2	P3	P4	P5	P6	P7	P8
OFF	0							
FAN FORCED	1	X			X		X	X
CONV. BAKE	2		X	X			X	X
GRILL	3			X			X	X
FAN GRILL	4				X	X	X	X
DEFROST	5					X	X	X

THIS RANGE MUST BE CONNECTED WITH  
CABLE OF 90°C RATING MINIMUM  
WARNING: THIS RANGE MUST BE EARTHED

**DANGER 240V**  
DISCONNECT POWER BEFORE  
SERVICING UNIT

INSTALLATION INSPECTOR PLEASE NOTE:  
THIS PRODUCT HAS PASSED THE INSULATION RESISTANCE TEST AFTER MANUFACTURE.  
IF THE RESISTANCE READING IS LOW AT INSTALLATION, IT IS PROBABLY CAUSED  
BY MOISTURE FROM THE ATMOSPHERE BEING ABSORBED BY THE ELEMENTS AFTER  
THE RANGE HAS BEEN PRODUCED. (PASS AT 0.01 MΩ AS/NZS 3000 WIRING RULES  
CLAUSE 1.1.2.3).

P/No 165-2-333  
ECN 05A003A

**WARNING**  
IT IS ILLEGAL FOR PERSONS OTHER THAN LICENSED ELECTRICAL MECHANICS OR PERSONS  
AUTHORISED BY LEGISLATION TO WORK ON THE FIXED WIRING OF ANY ELECTRICAL  
INSTALLATION. PENALTIES FOR CONVICTION ARE SEVERE.

**IMPORTANT SAFETY NOTICE**  
This diagram has been prepared for use by electrically qualified service technicians. The  
manufacturer cannot be held responsible for the interpretation of its service publications nor for  
any injury or damage that may occur in connection with their use.